



EA650G PRO
POWER SUPPLY
USER'S MANUAL



EA650G PRO

Featuring hybrid modular cable management, EarthWatts GOLD PRO gives you a cooler, quieter system all powered by Continuous Power. By using a PSU that is 80 PLUS® GOLD & ErP Lot 6: 2013 certified, operating up to 92% efficient, you can reduce your electricity bill by up to 20% when compared to many other power supplies. All cables are darkened and also flat (except MBU cable) to become Flat Stealth Wires and are thus nearly invisible in your chassis. A 7-year Antec Quality warranty, a whisper-quiet 120mm fan controlled by Antec's renowned Thermal Manager and CircuitShield™'s industry-leading 8 levels of protection make EarthWatts GOLD PRO one of the best choices available. Get the power you need, save money and help protect the environment with Antec's EarthWatts GOLD PRO!

STANDARDS AND FEATURES

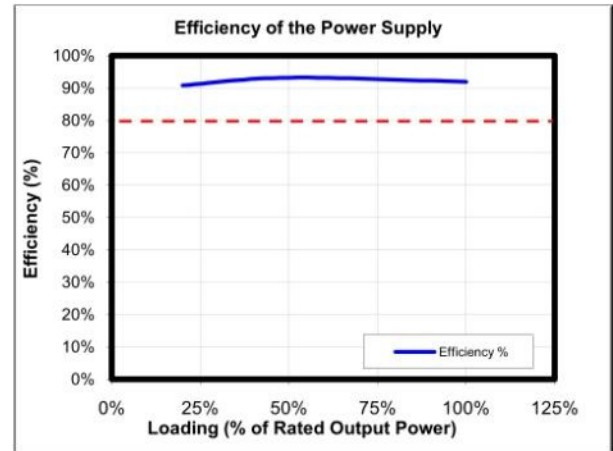
The connectors and power specifications of the EA650G PRO PSU are all compatible with ATX12V v2.4 and EPS12V v2.92 specifications. The EA650G PRO features Universal Input, which automatically senses when you connect the power supply to any AC power source between 100 - 240V without setting a voltage switch. This power supply also features Active Power Factor Correction (PFC), which improves the power factor value of the power supply by altering the input current wave shape, helping to power transmission across the grid.

SYSTEM PROTECTION

A variety of industrial-grade safety circuitry will help protect your computer: Over Current Protection (OCP), Over Voltage Protection (OVP), Short Circuit Protection (SCP), Over Power Protection (OPP), Over Temperature Protection (OTP), Surge & Inrush Protection (SIP) & No Load Operation (NLO). Sometimes the PSU will "latch" into a protected state. You will need to power off the PSU and clear the fault before it will function again. There are no user-replaceable fuses in your EA650G PRO.

80 PLUS® CERTIFICATION

80 PLUS® certification is the most widely recognized independent standard in power supply efficiency. An 80 PLUS® certified power supply uses less energy and generates less heat to stay cooler, run quieter and last longer. The EA650G PRO has been 80 PLUS® GOLD certified to be at least 87% efficient at a wide range of operating loads; this will lower your operating costs and help protect the environment.



POWER OUTPUT

To see the output capacity and regulation for each different voltage, see table 1.

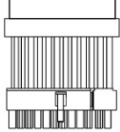
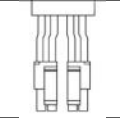
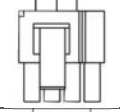

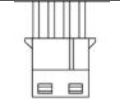
TABLE 1

Output Voltage	Load Max.	Regulation	Ripple & Noise
+12V ₁	54A	± 5%	< 120 mV
+3.3V	20A	± 5%	< 50 mV
+5V	20A	± 5%	< 50 mV
-12V	0.3A	± 10%	< 120 mV
+5Vsb	3.0A	± 5%	< 50 mV

MODULAR CABLE JACKS

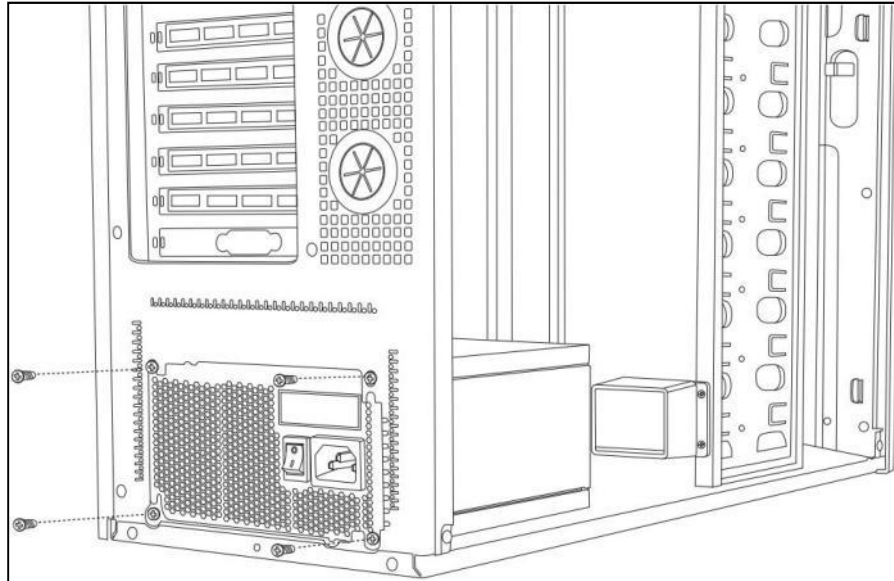
Caution: Please connect only cables provided with this EA650G PRO. Other cables may not be compatible!

TABLE 2

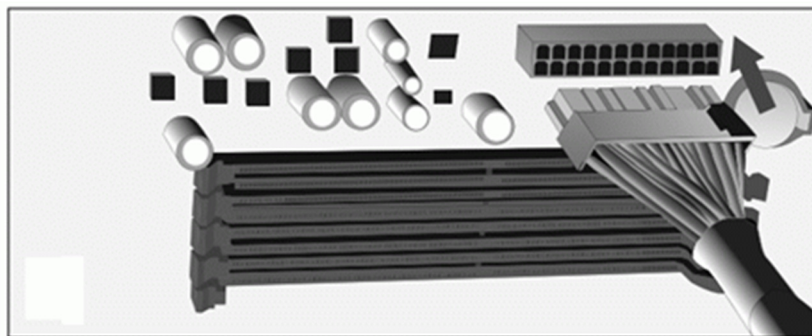
Cable Quantity	Connectors	Description
1	 X 1	24-pin Motherboard
1	 X 1	8(4+4)-pin ATX12V/EPS12V
2	 X 2	8(6+2)-pin PCI-E
3	 X 2	SATA
	 X 1	Molex

INSTALLATION

Install the PSU into either the top or bottom of your case with the four screws provided. Refer to your case manual if you are unsure where the power supply should be installed.

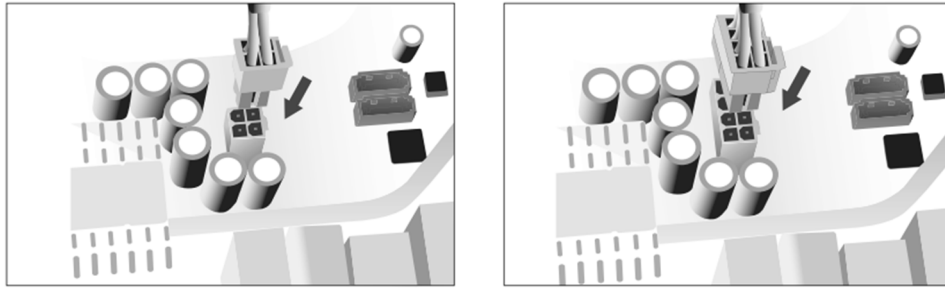


Connect the 24-pin main power connector to your motherboard.

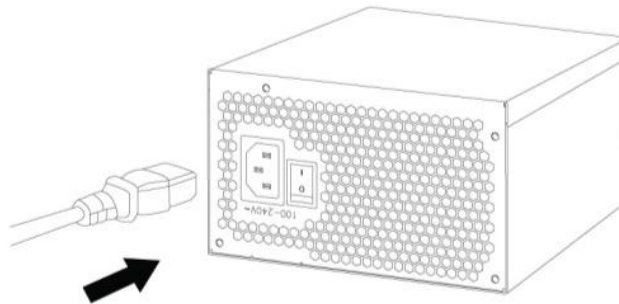


Connect the 8-pin or 4+4-pin connector for the CPU. If your motherboard has an 8-pin socket with a cover on some of the openings, we recommend that you remove the cover and use the 8-pin connector.

Note: Please also refer to your motherboards manual for any special instructions.



Connect the AC power cord to the power supply AC inlet. Be sure to use the heavy-duty cord supplied with your PSU.



PCI-E graphics cards use different amounts of power. For some, a single 6-pin connector is sufficient, making the hardwired connector the preferred choice. More powerful cards use multiple connectors, including the advanced 8-pin PCI-E connector. The 8-pin PCI-E connector on the PSU can be used as either a 6- or 8-pin connector.

Hard drives, optical drives (CD/DVD/BluRay™) and other accessories will use either the older 4-pin Molex connector or the newer 15-pin SATA connector. 4-pin Molex connectors have two black, one yellow and one red wire. The SATA connector has an additional orange power wire.

When you have all the connections secured, turn the switch on the PSU to the “|” position.

Technical Support:

www.antec.com/support

USA & Kanada

1-800-22ANTEC nasupport@antec.com

Europe

31-(0)10-4622060 eusupport@antec.com

Asia

+886 (0)800-060-696 apsupport@antec.com

Visit us on Facebook for contests, information & support

USA & Canada facebook.com/AntecInc

Europe facebook.com/AntecEurope

UK facebook.com/AntecUK

Australia & New Zealand facebook.com/AntecAU

India facebook.com/AntecIndia

Israel facebook.com/AntecIsrael

Philippines facebook.com/AntecPH

Antec, Inc.

47681 Lakeview Blvd., Fremont, CA 94538 / USA

Tel: 510-770-1200 - Fax: 510-770-1288

www.antec.com

©2017 Antec, Inc. All rights reserved.

Specifications are subject to change without prior notice. Actual product(s) and accessories may differ from illustrations. Omissions and printing errors excepted. Content of delivery might differ in different countries or areas. Some trademarks may be claimed as the property of others.

Reproduction in whole or in part without written permission is prohibited.