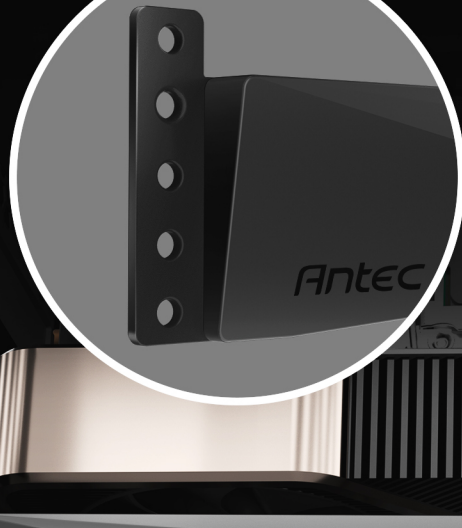




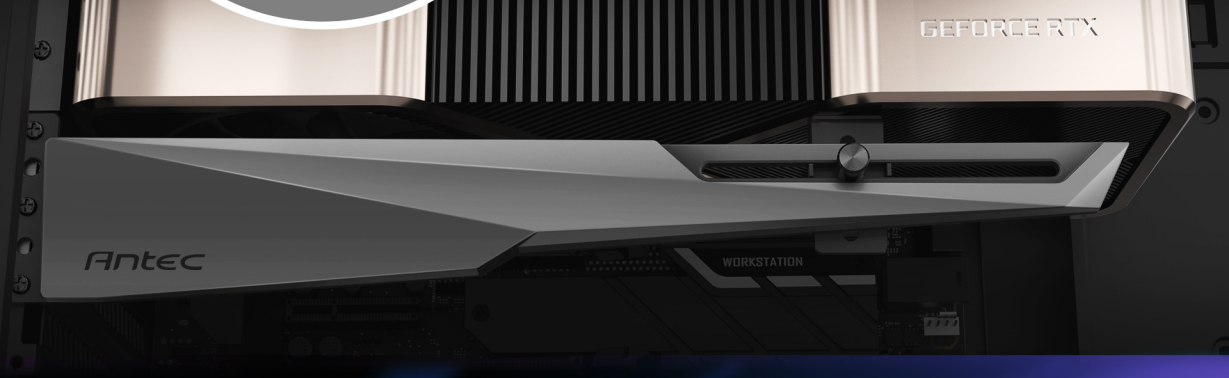
## DAGGER GPU Support Bracket

Exclusive five-hole design, similar to the steel framed building, supports your graphics card stably.



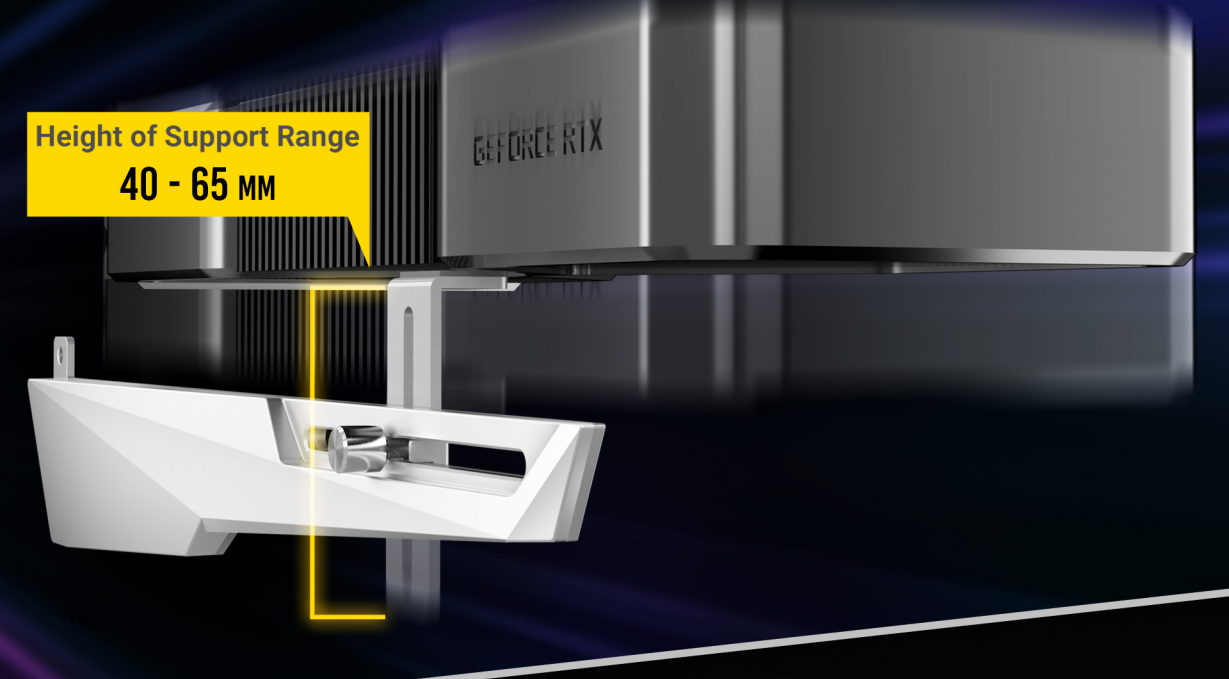
### FIVE-HOLE BRACKET

The 5-hole support arm locks into place to fit those horizontally mounted heavy GPU cards, prevents its from bending and sagging.

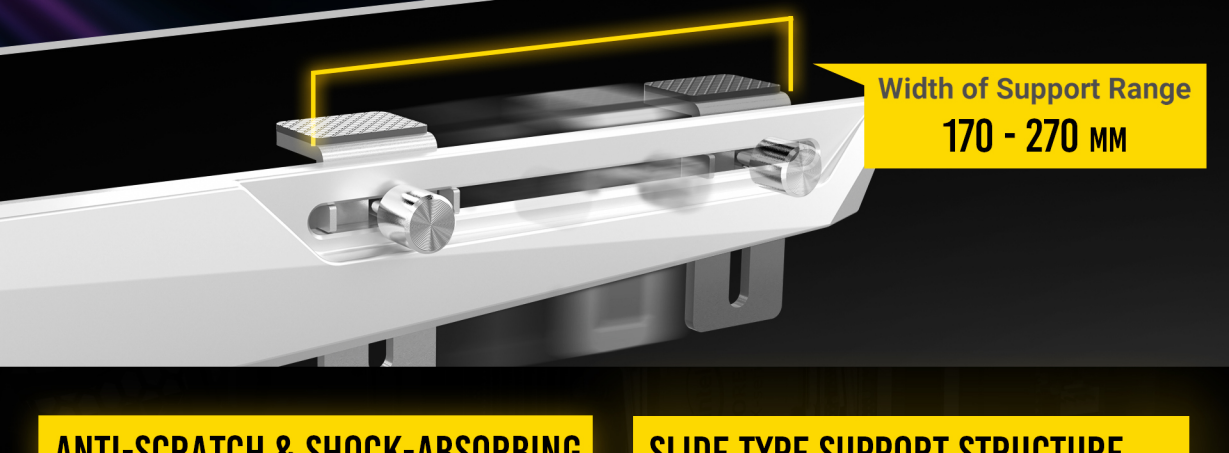


### ADJUSTABLE SUPPORT COLUMN

Height of Support Range  
40 - 65 MM



Width of Support Range  
170 - 270 MM



ANTI-SCRATCH & SHOCK-ABSORBING RUBBER PAD

SLIDE TYPE SUPPORT STRUCTURE

Providing flexible support and control (170-270 mm) to meet any GPU cards of different heights.



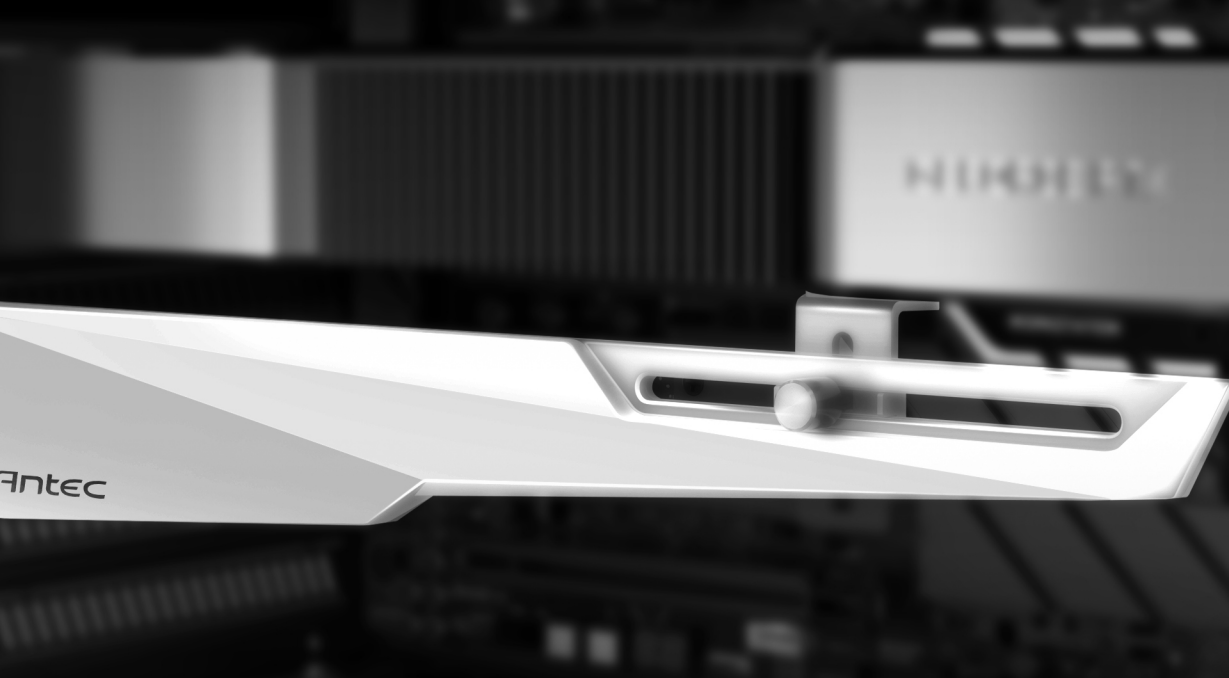
PROTECT YOUR COMPONENTS

The combination of plastic side plates and the all-anode process can maintain the durability of the surface texture, and can be used as long-term components.

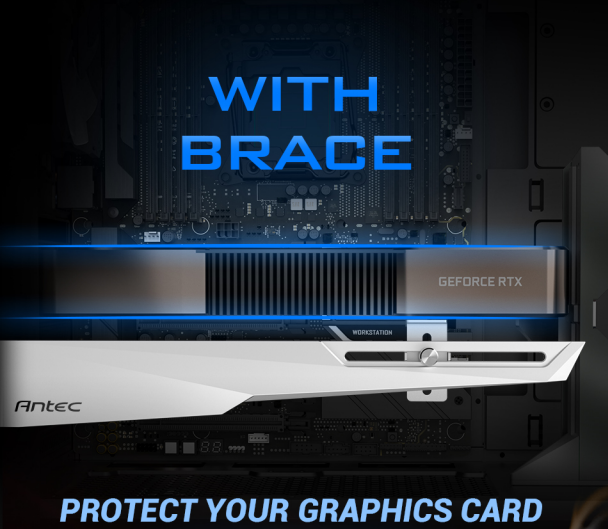
TOOL-FREE THUMB SCREW

### UNIVERSAL COMPATIBILITY

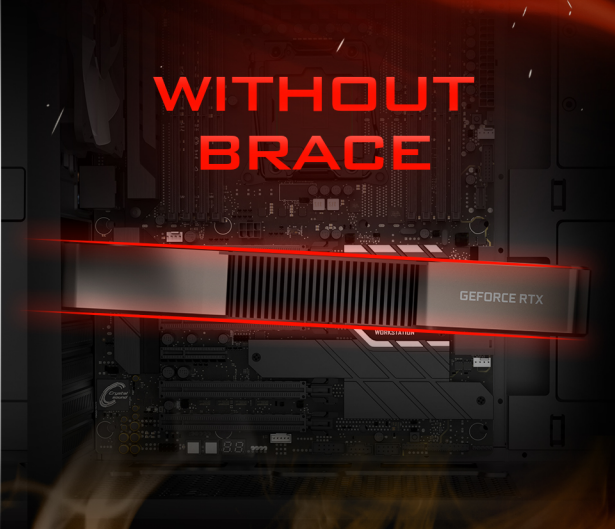
RTX 40 Series, RTX 30 Series, RX 7000 Series, RX 6000 Series



WITH BRACE

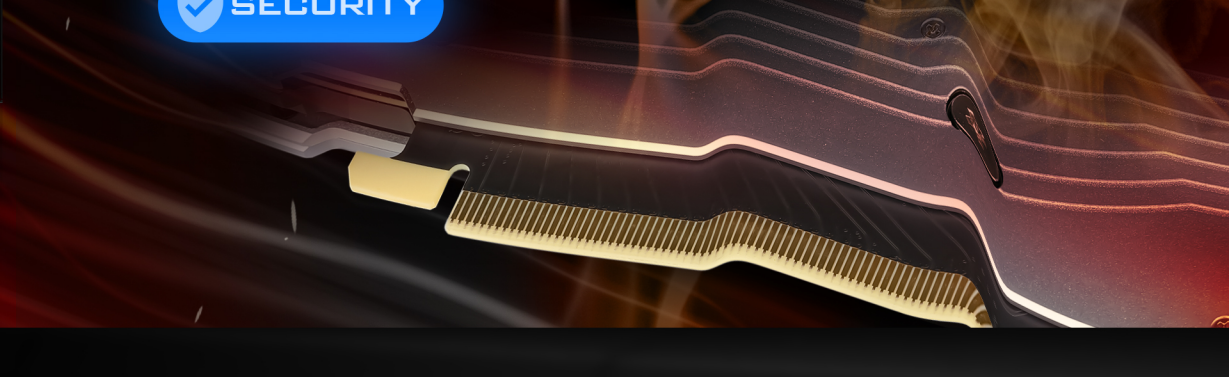


WITHOUT BRACE

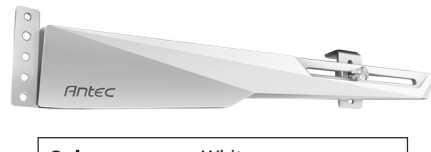
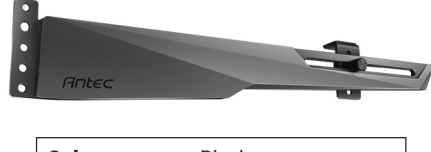
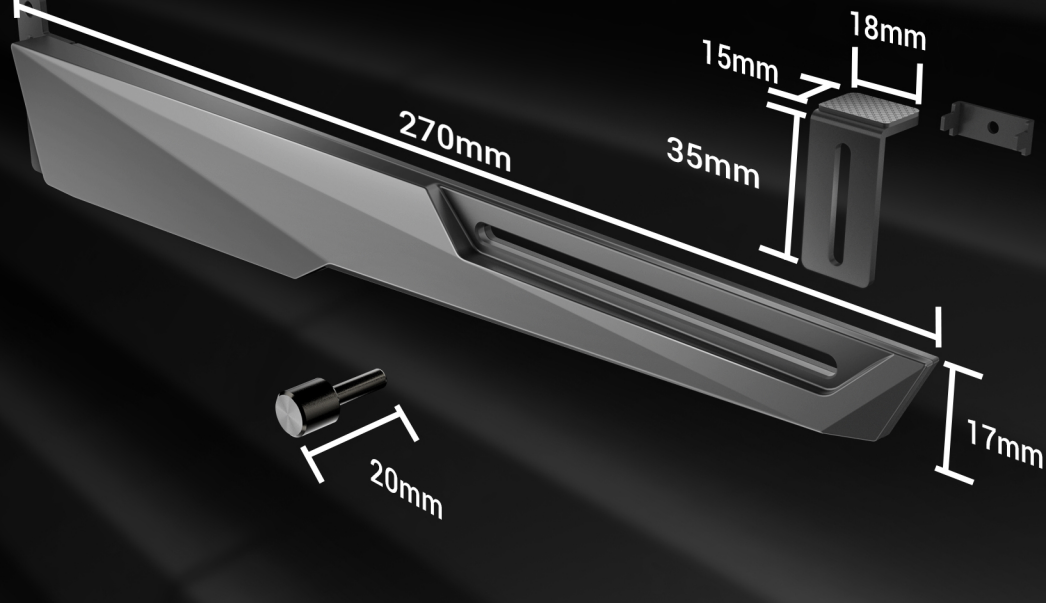


PROTECT YOUR GRAPHICS CARD

SECURITY



### DIMENSIONS



Color	Black
Model Name	AT-HGPUH-BK
Warranty	1 year
UPC#	0-761345-77724-7

Color	White
Model Name	AT-HGPUH-W
Warranty	1 year
UPC#	0-761345-77736-0