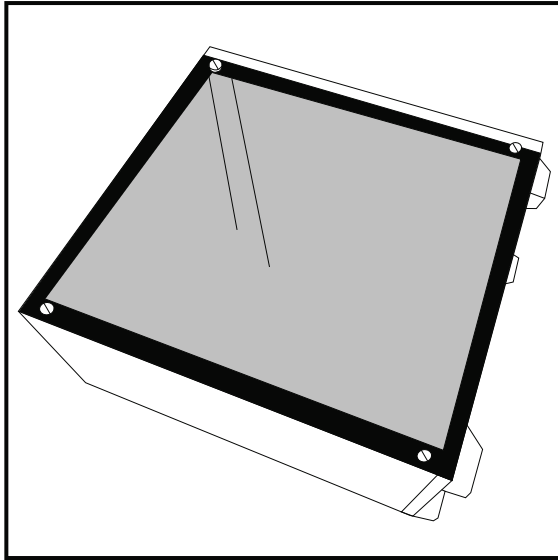
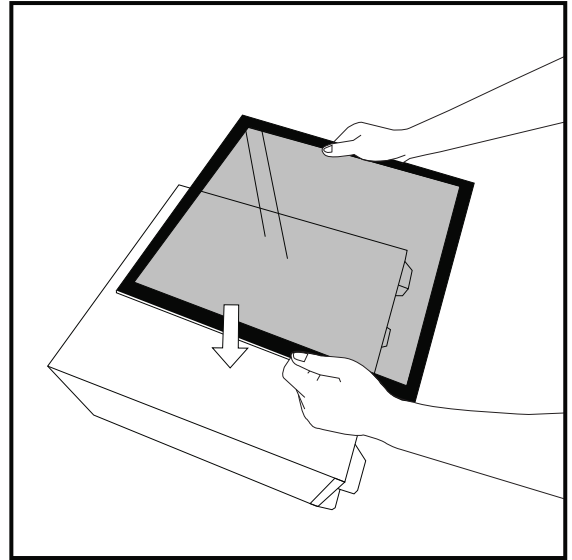


Antec® Tempered Glass Side Panel Handling and Safety

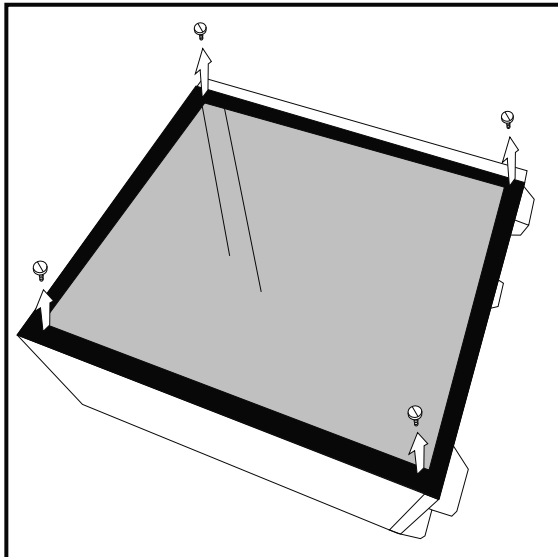
玻璃侧板安装注意事项



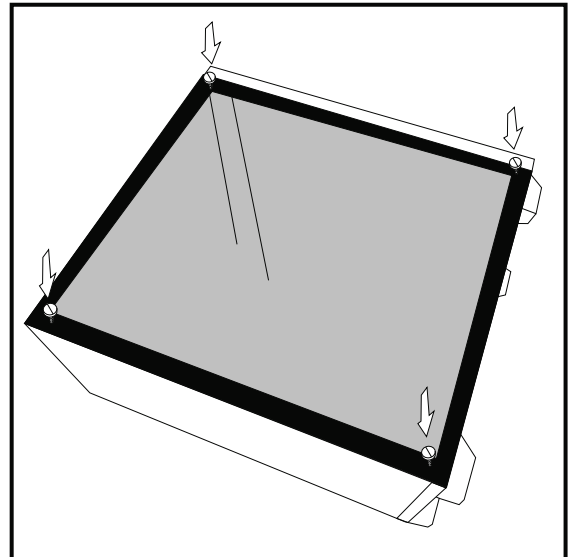
1. Please carefully lay down the enclosure to avoid damaging it while you are removing the side panel.
请先将机壳平躺，以避免直立拆装时侧板滑落敲击地面



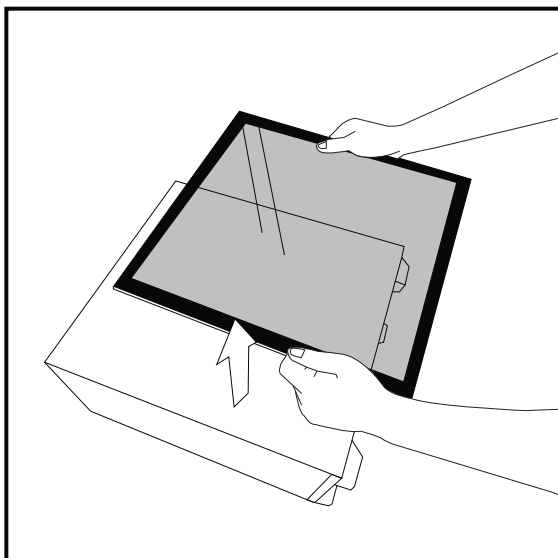
4. After installing components, carefully replace the side panel horizontally and align with the screw holes.
系統組裝完成後再將側板輕拿平行放入



2. Remove the thumbscrews one by one.
將機殼螺絲一一拆下

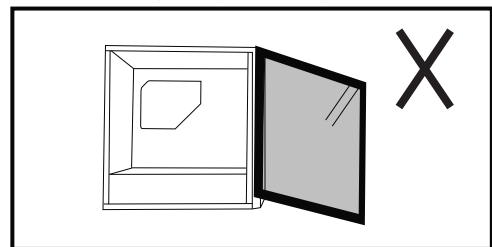


5. Insert the thumbscrews and tighten until locked.
鎖回螺絲

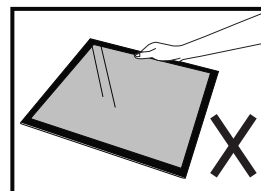


3. Use both hands to carry the glass side panel and place it softly on a flat surface (Either on cotton material or a cushioned surface).
用两手平行取下玻璃侧板，并将玻璃轻放置在软性的平面上(布面或是软垫)

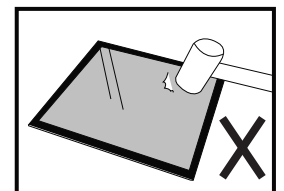
● Handle the tempered glass side panel with care -
A few tips are recommended as follows:
容易造成玻璃破裂的情形:



Don't lean the side panel on any objects, as it may slip or fall.
勿将玻璃斜靠在机壳或是其他物体旁边，容易导致侧板滑落



Antec recommends carrying the side panel with both hands.
勿单手拿取侧板，容易使施力不均



Do not drop or bump heavy or sharp objects on the side panel.
勿使其受到硬物敲击或是撞击