

A: Intel Buttons * 1

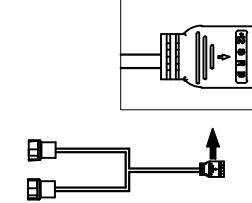
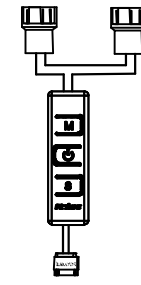
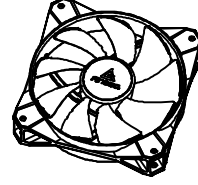
B: AMD Buttons * 1

C: Backplane * 1

D: Screw (H7*36*M3) * 4

E: Knurled nuts (M3*17) * 4

F: Knurled nuts (M3*12) * 4



G: Knurled nuts (M4+M3*20) * 4

H: Screw(6-32*6) K120 * 4 K240 * 8

I: Gasket K120 * 4 K240 * 8

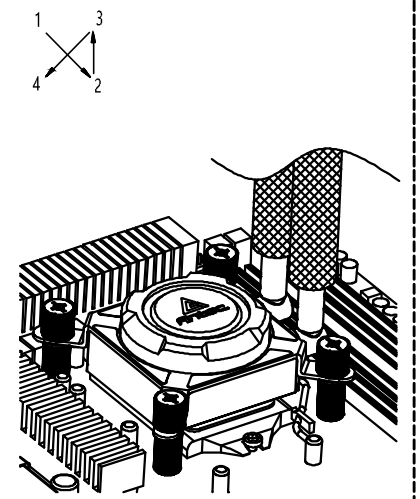
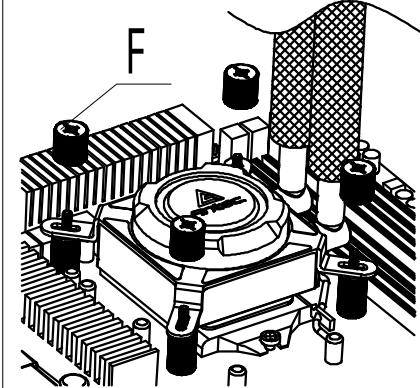
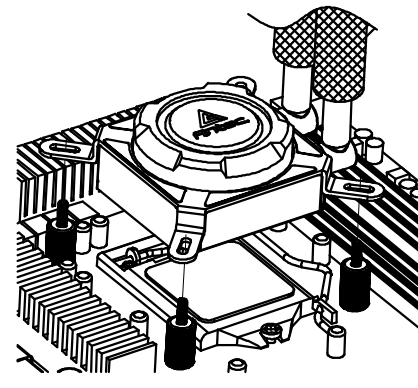
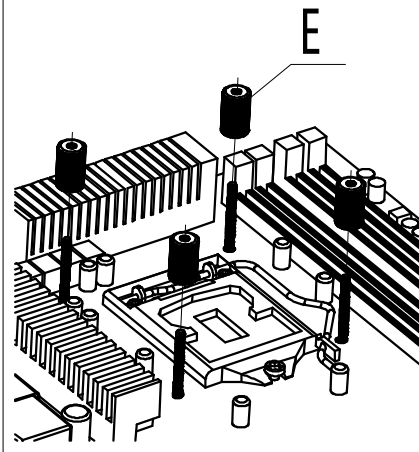
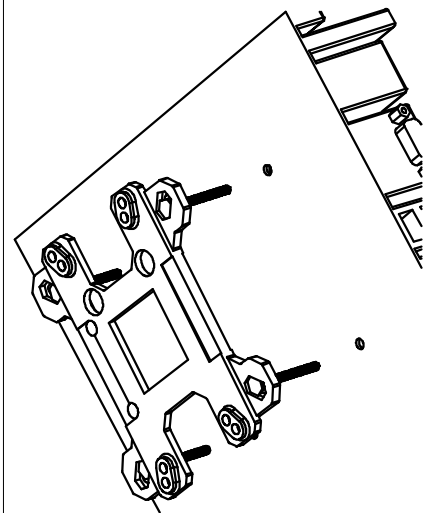
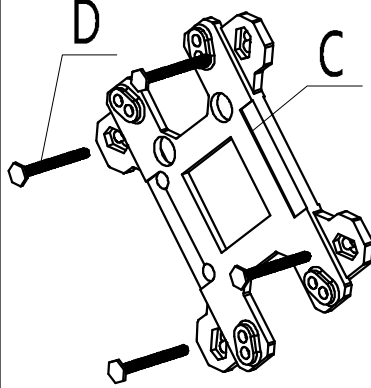
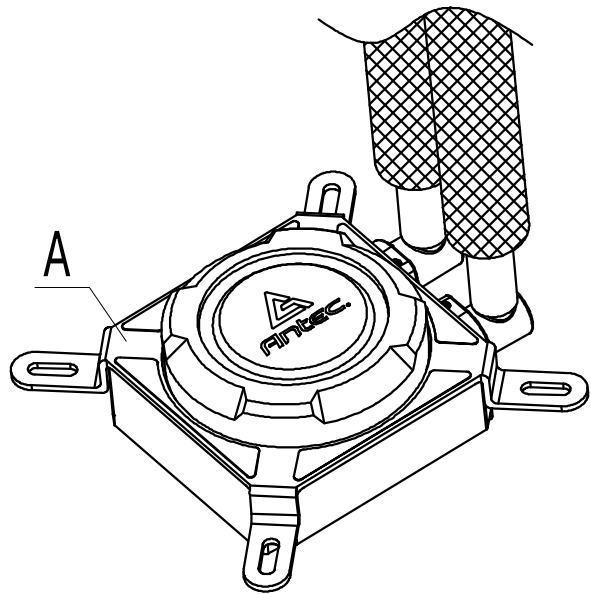
J: Screw(6-32*30) K120 * 4 K240 * 8

K: Fan K120 * 1 K240 * 2

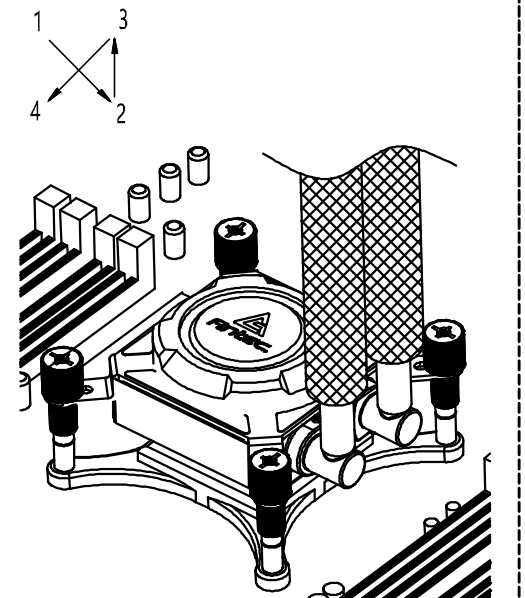
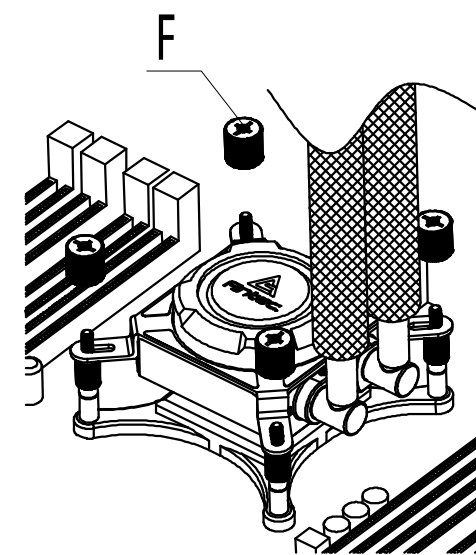
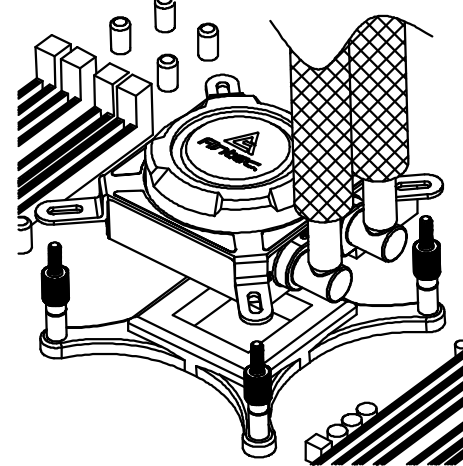
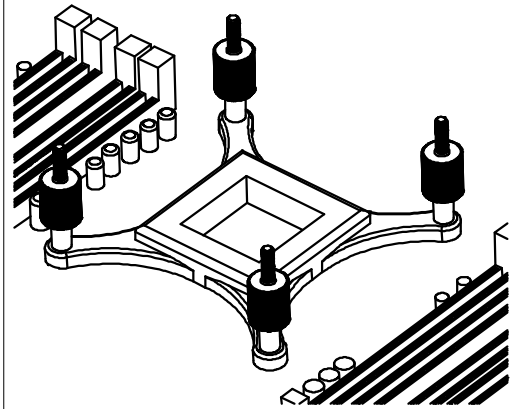
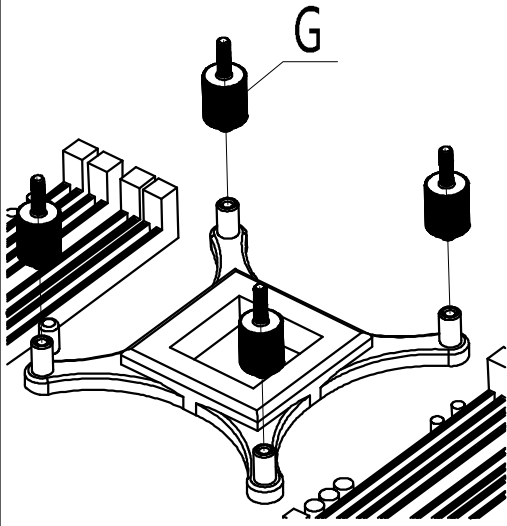
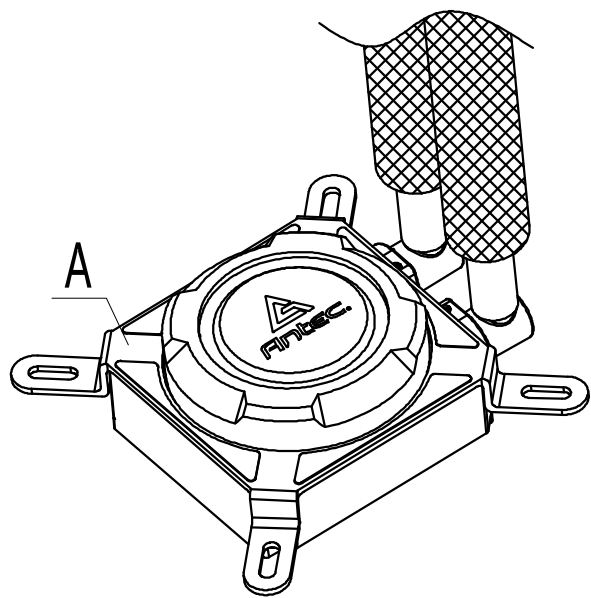
L: RGB Controller * 1

M: RGB SYNC Cable * 1

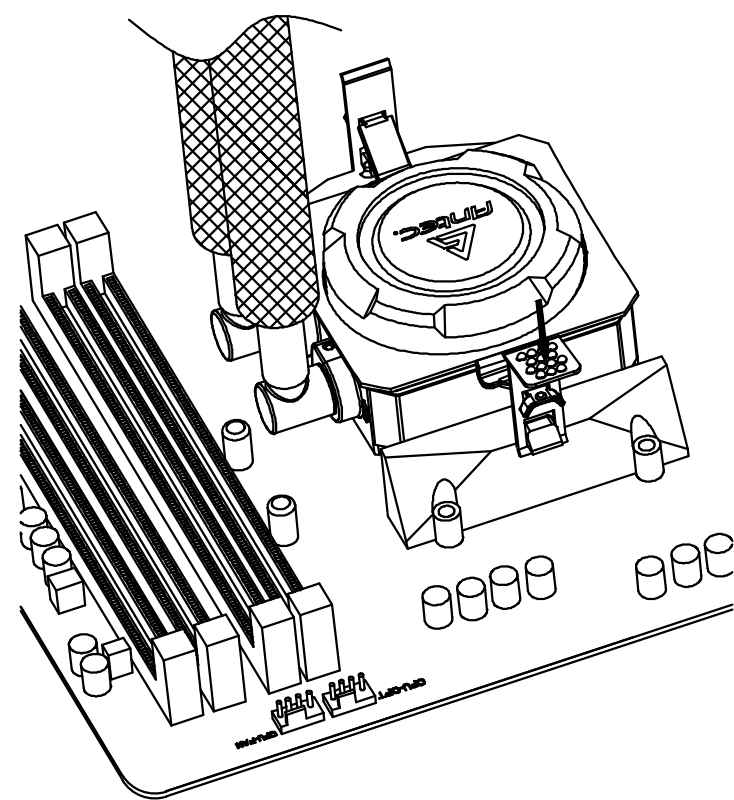
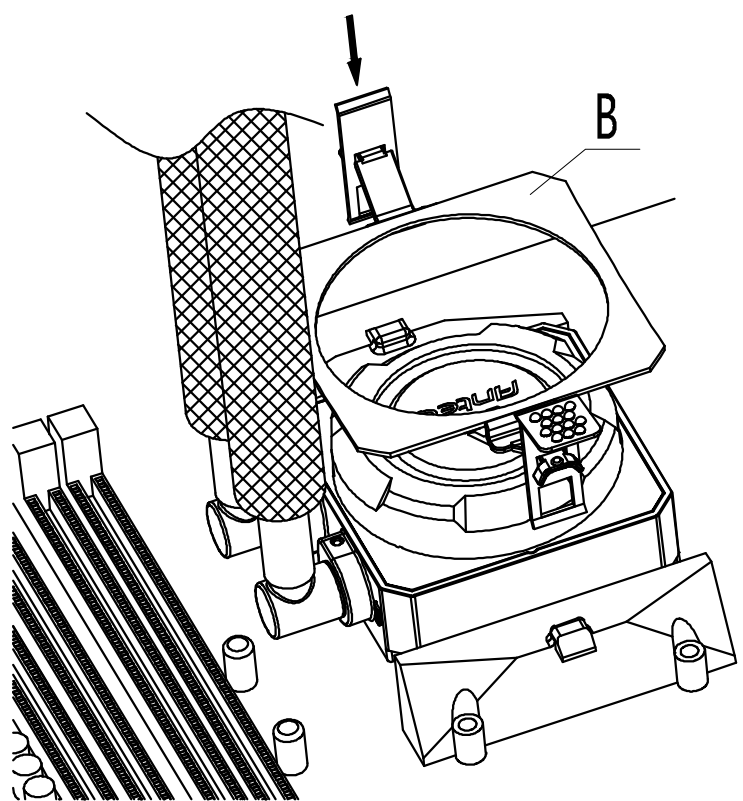
Intel platform



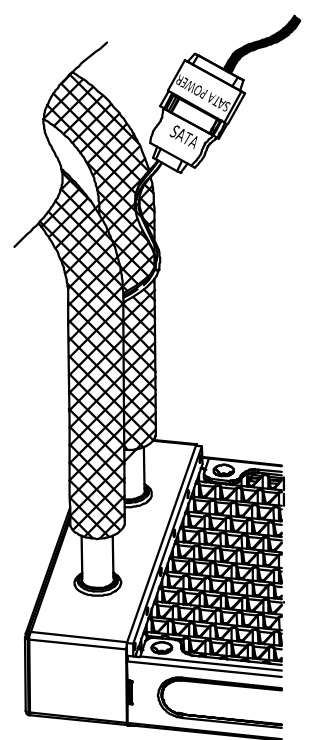
20XX platform

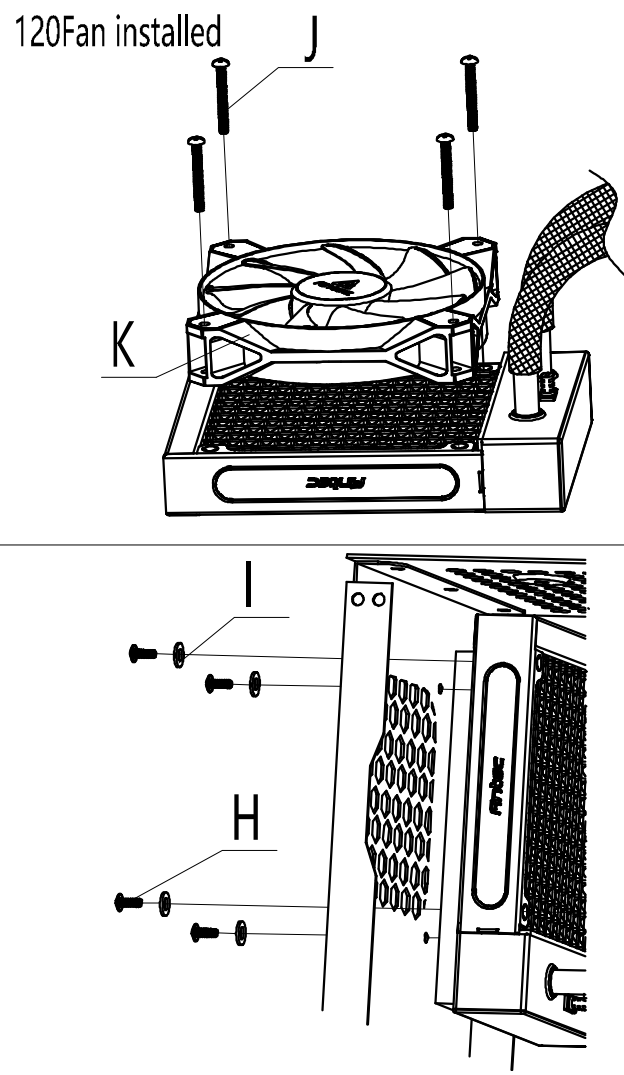


AMD platform

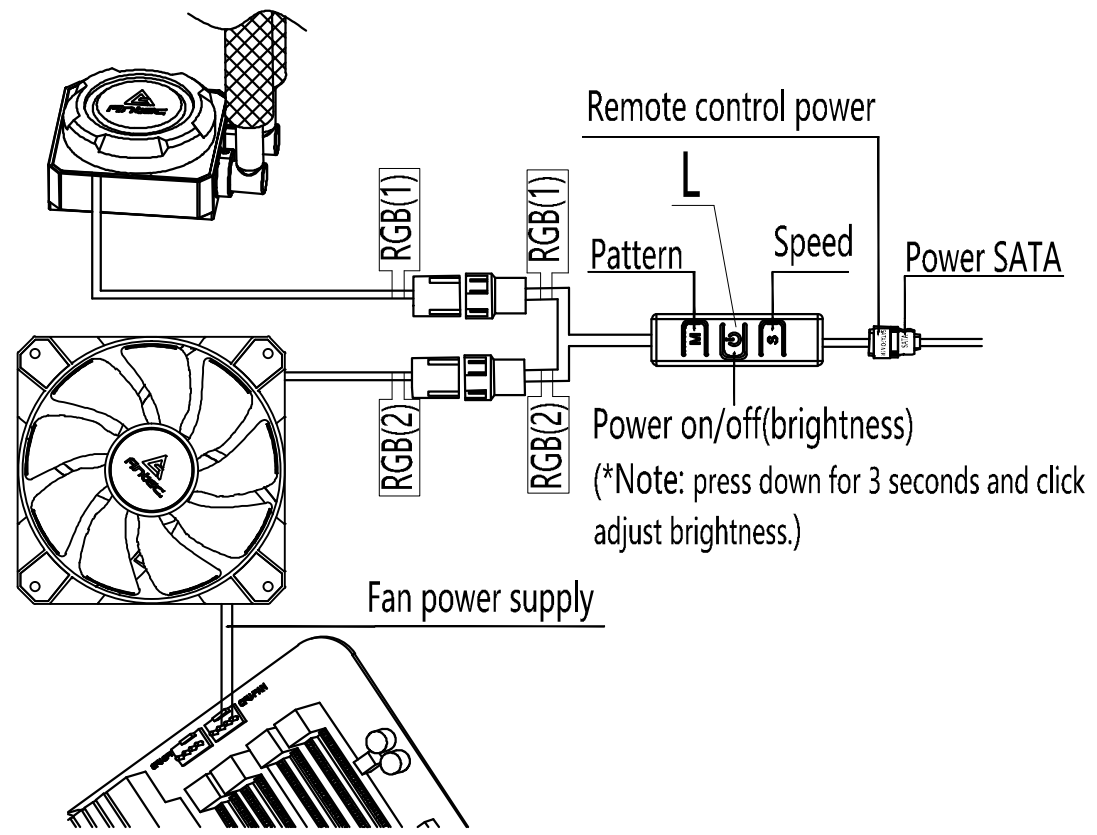


Pump power





* Not the RGB motherboard connection



* The RGB motherboard connection

