

# INFINITY MATRIX 360 ARGB

## MANUAL

[www.Antec.com](http://www.Antec.com)

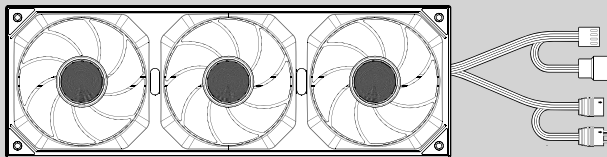
All rights reserved. Specifications are subject to change without prior notice. Actual products and accessories may differ from illustrations. Omissions and printing errors excepted. Content of delivery might differ in different countries or areas. Some trademarks may be claimed as the property of others.

V2.2

©1986 – 2025 Antec Inc. All rights reserved.

## 1 CONTENTS

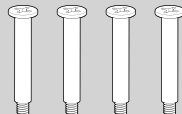
### 360MM FAN



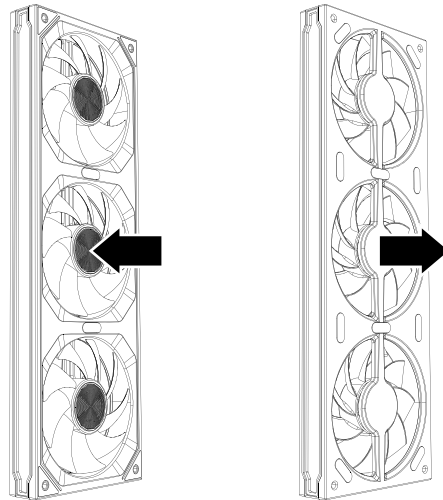
### FAN SCREW



### RADIATOR SCREW



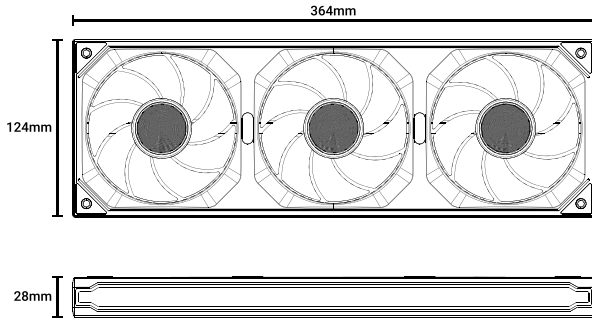
## 2 FAN INTRODUCTION



AIR-IN

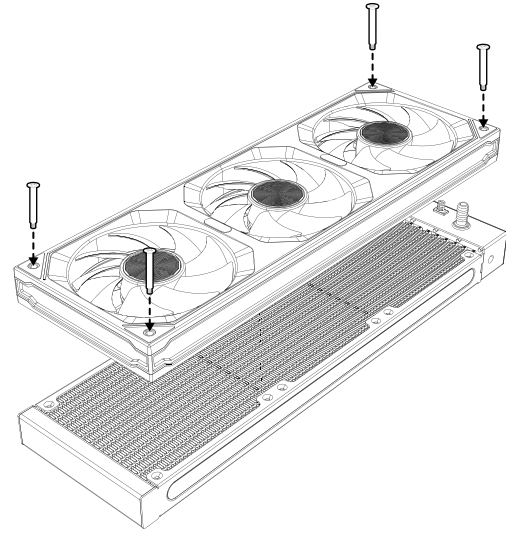
AIR-OUT

### 3 FAN DIMENSIONS



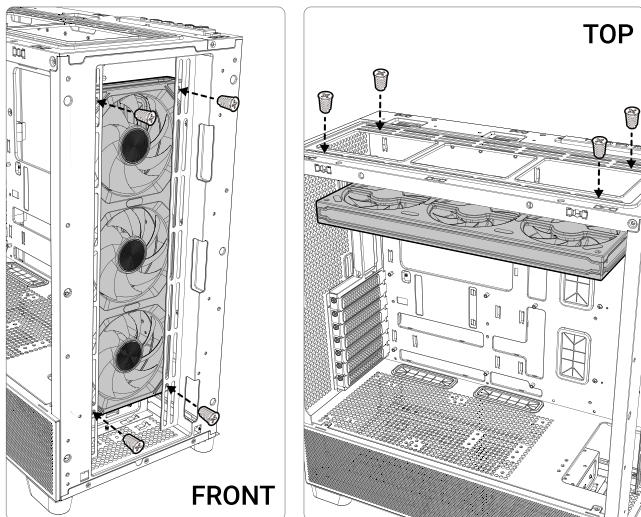
### 4 FAN INSTALLATION

- Install on the radiator with less screws

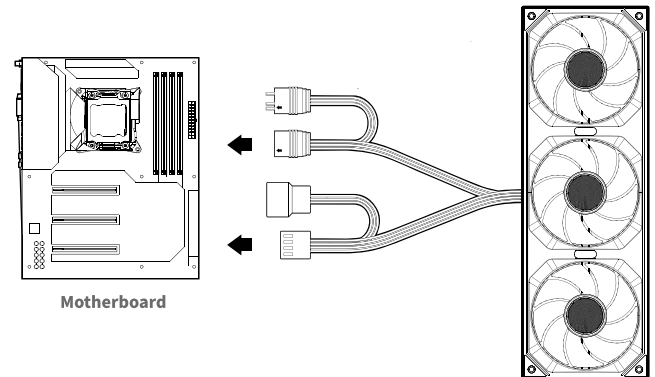


### 5 FAN CONNECTION

- Install on the chassis with less screws



- Connect to the motherboard



*\*Supports motherboards or controllers with ARGB control for 56 LEDs.*